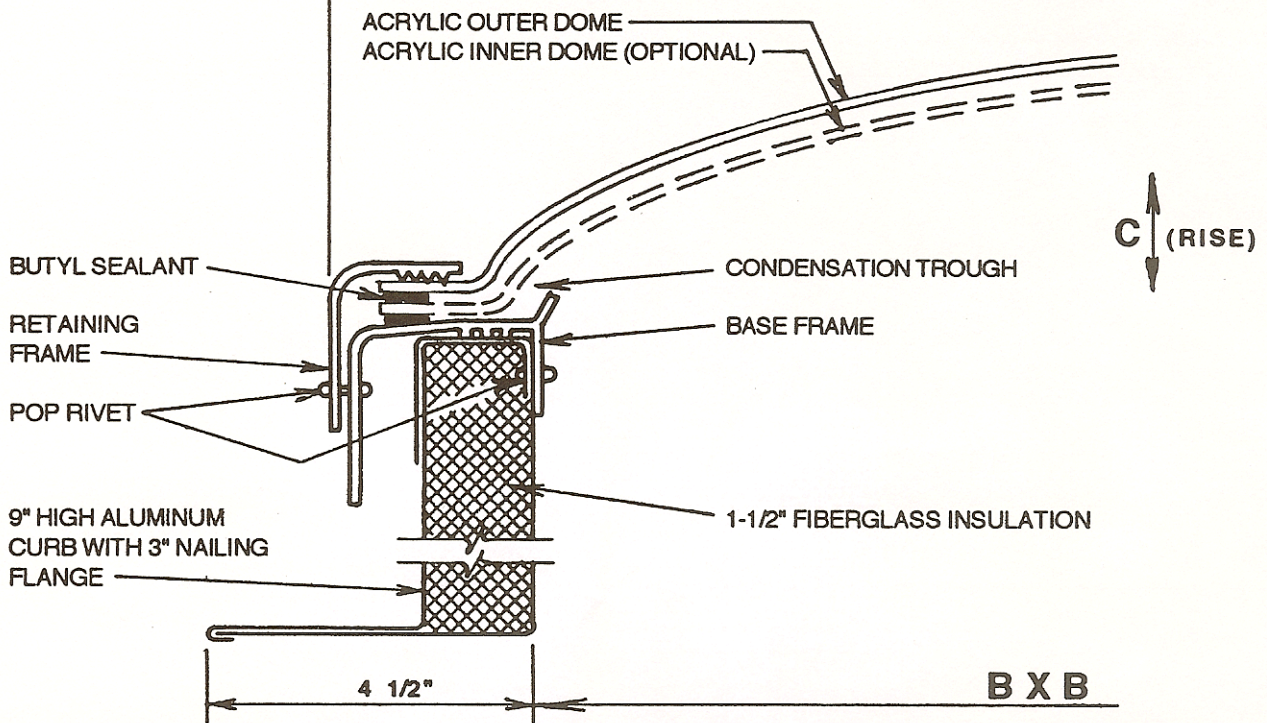


**MODELS 9AI & 9AIT**

**A X A**



SKYLITES SHALL BE PECOT FREELITE SKYLITES. DOMES SHALL BE FORMED FROM ONE PIECE, CAST ACRYLIC SHEET OF A THICKNESS TO MEET A 40 psf DESIGN LOAD. FRAMES SHALL BE EXTRUDED ALUMINUM ALLOY 6063T5 (BASE FRAME .078" / RETAINING FRAME .060") WITH HELI-ARC WELDED CORNERS. CURBS SHALL BE FORMED FROM .025 (OR THICKER) SHEET ALUMINUM WITH 1-1/2" FIBERGLASS INSULATION. A BUTYL GASKET SHALL JOIN THE DOME AND BASE FRAME, ALLOWING FOR THERMAL MOVEMENT, AND WITH A WEEP HOLE ARRANGEMENT. SKYLITES SHALL BE COMPLETELY FACTORY ASSEMBLED WITH A 3" NAILING FLANGE READY TO MOUNT TO ROOF DECK.

QUAN	MODEL	A X A	B X B	C
	- 2424	24 1/2 x 24 1/2	19 x 19	5
	- 2828	27 1/2 x 27 1/2	22 x 22	5
	- 3636	35 1/2 x 35 1/2	30 x 30	8
	- 4242	42 1/2 x 42 1/2	37 x 37	8
	- 4848	48 1/2 x 48 1/2	43 x 43	8
	- 5252	51 1/2 x 51 1/2	46 x 46	8
	- 6060	60 1/2 x 60 1/2	55 x 55	12
	- 8080	80 1/2 x 80 1/2	75 x 75	16
	- 9696	96 1/2 x 96 1/2	91 x 91	18
	- 2448	24 1/2 x 48 1/2	19 x 43	5
	- 2852	27 1/2 x 51 1/2	22 x 46	6
	- 3652	35 1/2 x 51 1/2	30 x 46	8
	- 3674	35 1/2 x 74 1/2	30 x 69	8
	- 3296	30 1/2 x 96 1/2	25 x 91	8
	- 4280	42 1/2 x 80 1/2	37 x 75	8
	- 4896	48 1/2 x 96 1/2	43 x 91	9
	- 5296	51 1/2 x 96 1/2	46 x 91	9
	- 6496	62 1/2 x 96 1/2	57 x 91	12

**DOMES COLORS:**

- OUTER:  
 Transluscent  Clear  \_\_\_\_\_  
 INNER:  
 Transluscent  Clear  \_\_\_\_\_

- ALUMINUM FINISH (FRAME ONLY):**  
 Mill  Clear Anodized  Bronze Anodized

TYPE	MODEL
Single Glazed	"9AI"
Double Glazed	"9AIT"

**PECOT, INC.**  
 P. O. BOX 470532  
 TULSA, OKLAHOMA 74147

PROJECT: \_\_\_\_\_  
 ARCHITECT: \_\_\_\_\_  
 CONTRACTOR: \_\_\_\_\_  
 DATE: \_\_\_\_\_ MODEL: \_\_\_\_\_